

ENC-816LP

Shallow Enclosure for 8" Subwoofers & Speakers

DESCRIPTION

ENC-816LP is the perfect solution for a shallow speaker enclosure that installs easily in walls or ceilings and provides superior performance for 8" subwoofers & 8" ceiling speakers. Carefully designed by custom install experts, it simplifies installation yet enables installers to deliver higher performance custom installations - without building custom boxes or enclosures on site.

The ENC-816LP is just 3-3/8" deep (86mm) and fits into 16" wide 2 x 4 construction. It also fits easily beneath, beside and behind furniture (with the **ENC-IRA8** In-Room Adaptor) and comes complete with all mounting accessories. It is solidly constructed with internal bracing and heavily glued seams and joints. Secure connections are assured thanks to the Gold-Plated, High-Tension Spring Terminals. The non-reflective finish allows ENC-816LP to hide effectively from view.

FEATURES

- Sized to fit easily into 16" construction bays
- Shallow 3-3/8" depth fits inside wall construction
- Also fits easily beneath, beside and behind furniture
- Comes complete with all standard mounting accessories
- Internally braced and heavily glued seams and joints
- Gold-Plated, High-Tension Spring Terminals
- Non-reflective finish hides ENC-816LP effectively from view

*Pictured with SE-80SWf
Subwoofer & ENC-IRA8
in-room adaptor (not included)*

SPECIFICATIONS

16-Liter design (.56 cu. ft.)
perfect for 8" woofers as well
as 6.5" 15° angled loudspeakers

High-tension, spring-loaded,
gold-plated connectors

Ships complete with Snap-Trac
brackets for standard mounts

In-Room Adaptor available
(**ENC-IRA8**)

Magnetic Black Grill available
(**MGS-8f-B**)

Longer brackets available for
mounting between wider joist
dimensions (**ENC-LB**)



DIMENSIONS

Overall Dimensions:
12.8" x 28.6" x 3.37"D

Driver Cut-out Dimensions:
8.6" Diameter



*MGS-8f-B
frameless
black grille
(not included)*

RoHS
conform

CEDIA

OEM SYSTEMS COMPANY

(775) 355-0405 ♦ (800) 291-0561 FAX

www.oemsystems.com ♦ info@oemsystems.com

Rev. A

SE-80SWf

8" In-Ceiling / Wall Frameless Subwoofer

DESCRIPTION

Sleek and Powerful - The SE-80SWf is a heavy-duty, polypropylene 8" round in-ceiling or in-wall Subwoofer that features our new frameless design aesthetic for superior performance and ultra-low-profile integration. This highly musical low-frequency transducer utilizes a specially designed, shallow polypropylene cone for clean, powerful, low bass reproduction and an integrated, one-piece surround / damping ring to help minimize unwanted resonances in the woofer's mechanical substructure.

The SE-80SWf is supplied with both round and square grilles for greater flexibility in room design compatibility and aesthetics.

The low-profile grille is rattle-free, thanks to the 24 shaped-Neodymium magnets around the entire perimeter of the frame to hold it tightly in place - even during the playback of a Hollywood blockbuster movie soundtrack. Additionally, the grilles may be painted to match your decor.

For superior performance and room integration, we suggest using multiple SE-80SWf subwoofers (two, three or four), with one of our 500-Watt, Class A/B, Model 500 Amplifiers. This is NOT just to create more bass energy, but multiple subs greatly help minimize the low-frequency standing waves in ways a single subwoofer can't do alone. Simply put, multiple subs around the room generate more-uniform bass reproduction.



Model 500

SPECS/FEATURES

8" Round Frameless Subwoofer
Polypropylene Cone

Frequency Response:
30Hz - 120Hz

Sensitivity:
85 dB 1 watt / 1 meter

Power Handling:
100 watts nom. 150 max

Impedance: 4 ohms nominal

Grille: Magnetically-Attached
Micro-perforated stainless

Toggle Mounting System

Sold and Shipped Individually



DIMENSIONS

Overall Dimensions:
9-7/8" diameter

Cut-out Dimensions:
8-5/8" diameter

Mounting Depth: 3-7/8"

RoHS
conform

CEDIA

OEM SYSTEMS COMPANY

(775) 355-0405 ♦ (800) 291-0561 FAX

www.oemsystems.com ♦ info@oemsystems.com

Rev. B

C-10SW

10" In-Ceiling Subwoofer

DESCRIPTION

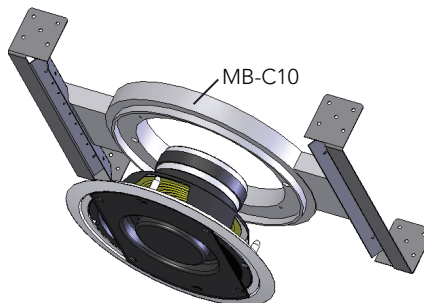
The **C-10SW** In-Ceiling Subwoofer along with the MB-C10 mounting bracket mount directly to 16" O.C. & 24" O.C. wooden frame ceiling joists and trusses.

The **C-10SW** 10" woofer assembly & **MB-C10** combination mounting & pre-construction bracket are sold separately so that they may be purchased and installed during different phases of construction. The integrated system weighs 11 pounds, which is much too heavy to be suspended overhead, attached only to sheetrock, especially when handling the punishing excursions the 10" long-throw woofer is capable of.

For safety, the system is designed such that the entire assembly is mounted directly to the room's wood framing joists or trusses. The installation reinforces the sheetrock by unitizing the assembly and the structure's framing together.

Primarily designed for "new construction." It may also be retro-fitted into existing construction after the sheetrock is in place when the other side is accessible. The structural mounting bracket may be installed from above the sheetrock.

The **MB-C10** consists of five separate pieces and two different types of screws. There are two pairs of steel mounting rails supplied. One pair 14.5" long to span 16" O.C. members and one pair 22.5" long to span 24" O.C. members. These fasten to the framing members with screws.



SPECS/FEATURES

10" Long-Throw Polypropylene Driver with Butyl Surround

Frequency Response:
32Hz - 200Hz (System Response)

Sensitivity:
87 dB 1 watt / 1 meter

Grille: Perforated Metal Grille

Power Handling:
125 watts nom. 250 max

Impedance: 8 ohms nominal

Pre-Construction Bracket:
MB-C10* Required

Kapton voice coil former

With the grille in place it looks identical to the 8" 15 degree speaker models

Sold Individually



DIMENSIONS

Overall Dimensions:
12-7/8" round

Cut-out Dimensions:
11-1/2" round

Mounting Depth: 4-5/8"

RoHS
conform

CEDIA

Rev. B

OEM SYSTEMS COMPANY

(775) 355-0405 ♦ (800) 291-0561 FAX

www.oemsystems.com ♦ info@oemsystems.com



SE-10SW/SE-10SWD

10" In-Wall Subwoofer

DESCRIPTION

The STUD Woofer 10" In-Wall Subwoofer fits in standard 2" x 4" walls. It fastens directly to 16" O.C. wall studs so it will not work itself loose from the drywall.

It does not require any special cabinet or bracing, it is entirely retrofit-able. It was designed to be installed in standard 2" x 4" or 2" x 6" walls with 1/2" drywall without any need for reinforcement, blocking, etc.

The **SE-10SW** is a single channel model. One may be driven directly by an amplified Mono low pass signal or two separate units may be driven by amplified Stereo low pass signals. The SE-10SW may be fitted with a 10-MX passive crossover for use with amplifiers that lack electronic crossovers or when creating a passive Subwoofer/Satellite system

The **SE-10SWD** is a dual channel, dual voice coil model. This model may be driven directly by amplified Stereo low pass signals or be fitted with two modular 10-MX crossovers for Stereo Sub / Satellite systems.

The **MODEL 10-MX (Modular Crossover)** is a 100Hz Passive Crossover with speaker level inputs and both high and low pass outputs for directly driving a subwoofer and a satellite speaker. It attaches to the back of the SE-10SW with provided screws.

The STUD Woofer is for people who want an In-Wall Subwoofer that is a near equal to the sound quality of the best cabinet type Subwoofers and prefer to maintain an uncluttered living space

The STUD Woofer is perfect for the latest Dolby Digital Home Theater System technology. Match one or two of this audiophile inspired design with any brand In-Wall speakers to greatly enhance the bass response in a smooth extended manner while maintaining an uncluttered living space.



SPECS / FEATURES

10" Butyl Surround Polypropylene Driver

Frequency Response:
25Hz - 200Hz

Sensitivity:
87 dB 1 watt / 1 meter

Grille: Perforated Metal Grille

Power Handling:
125 watts nom. 250 max

Impedance: 8 ohms nominal

Supplied with port plugs which enable the STUD Woofer to be used in infinite baffle arrangements

Tuned twin port design. Tuned for optimum performance in a wide variety of wall configurations, including standard 2" x 4" & 2" x 6", 7'-10" high residential walls

Sold and Shipped Individually

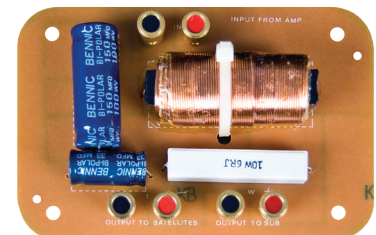


DIMENSIONS

Overall Dimensions:
19-1/2" x 19-1/2", 1-3/4"
Face Relief

Cut-out Dimensions:
14-1/2" W x 16-1/2" H

Mounting Depth: 3-3/8"



10-MX

RoHS conform

CEDIA

OEM SYSTEMS COMPANY

(775) 355-0405 ♦ (800) 291-0561 FAX

www.oemsystems.com ♦ info@oemsystems.com

Rev. B