

For C-10SW & MB-C10 In-Ceiling Subwoofer

Congratulations! You have purchased a high quality stereo loudspeaker. When matched to comparable electronic equipment, expect years of quality high fidelity sound. We are constantly striving to provide the very best technology has to offer.

The following manual is designed to give you, the installer or owner, basic information as to the speaker's installation and operation. It is beyond the scope of this manual to go into all the details that must be taken into consideration in a sophisticated high fidelity system. When installing the wiring and speakers it is important to adhere to all local codes and regulations. Consulting a professional can help to maximize your system's performance.

If you have any questions regarding this speaker which are not answered by this manual, contact your local dealer for assistance. For the most current information please visit www.oemsystems.com.

GENERAL DESCRIPTION

The MB-C10 combination mounting & pre-construction bracket and the C-10SW 10" woofer assembly are packaged and sold separately. These instructions accompany both.

The MB-C10 & C-10SW In-Ceiling Subwoofer system has been designed to mount directly to 16" OC & 24" OC wooden frame construction members (ceiling joists and trusses).

The integrated system weighs approximately 11 pounds, which is much too heavy to be suspended overhead in sheetrock especially when you take into consideration the punishing excursions the 10" long-throw woofer is capable of. For the sake of safety, the system is designed such that the entire assembly is mounted directly to the structure's framing members. It actually re-enforces the sheetrock by unitizing it, the assembly and the structure's framing together.

Primarily designed for "new construction", in some cases it may also be retro-fitted into existing construction, which is to say, after the sheetrock is in place. This may be accomplished when access to the "other side" may be gained. The structural mounting bracket may be installed from above the sheetrock.



Figure 1

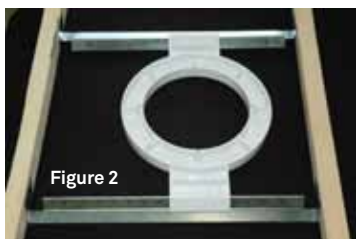
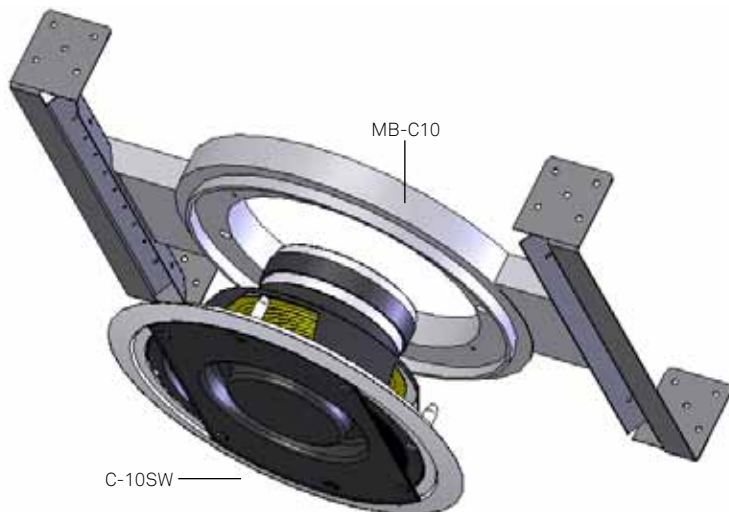


Figure 2



SHIPPING DAMAGE

Each speaker is thoroughly tested before it leaves the factory. However, in shipment, accidents may occur. Please inspect your speakers carefully when you receive them to make sure there is no damage. If there is, please notify your dealer, or supplier immediately for assistance. If you received your speakers by public transportation, report the damage at once to the shipping company.

INSTALLATION OF MB-C10

The MB-C10 consists of five separate pieces and two different types of screws. There are two pairs of steel mounting rails supplied. One pair 14.5" long to span 16" OC members and one pair 22.5" long to span 24" OC members. These fasten to the framing members with screws (Item 2) as shown in Figure 2.

Mount the white plastic bracket to the appropriate set of rails with the shorter screws (Item 2 in Figure 1). Place the white plastic bracket in the middle position and tighten the screws.

Put the assembly in position between the rafters and fasten with the longer screws (Item 1 in Figure 1). Make sure that the room-side of the rails are flush with the rafters.

Now that the steel mounting rails are fastened to the rafters and spaced properly, the position of the mounting bracket along the rails can be adjusted. When used with 24" OC framing members there is considerable space to slide the round plastic mounting frame back & forth on the rails to the desired location; installations into 16" OC provide little space for adjustment.

Leave the white film that covers the mounting opening in place until you are ready to install the C-10SW.

	Overall	Cut-Out (Round x Depth)
C-10SW	12-7/8" round	11-1/2" x 4-5/8"

For C-10SW & MB-C10 In-Ceiling Subwoofer

INSTALLATION OF C-10SW

Remove the grille with the included Grille Removal Tool. Cut the white film out of the mounting bracket with a utility knife. Connect the speaker wires and place the C-10SW up into the ceiling by holding the black steel installation handle as shown in Figure 3.



Figure 3

CAUTION: THIS INSTALLATION HANDLE MUST BE REMOVED BEFORE THE SUB IS ACTIVATED

Use the guides shown below in Figure 4 to align the speaker frame with the mounting bracket.

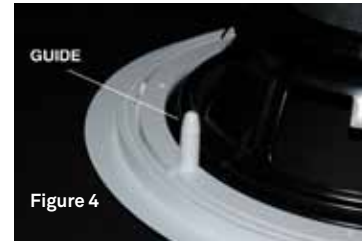


Figure 4

Attach the speaker to the mounting bracket with the four black screws that are included with the C-10SW.

Remove the installation handle by loosening the two screws that hold it in place and turning it so that the screw heads pass through the keyhole openings.

Tighten the two screws that held the handle in place. Attach the grille with spun cellulose insert. The white insert goes between the driver and the grille to improve the appearance. **MB-C10 Package Contents**

C-10SW Package Contents



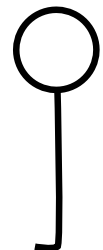
C-10SW Subwoofer w/ grille



Speaker Mounting Handle



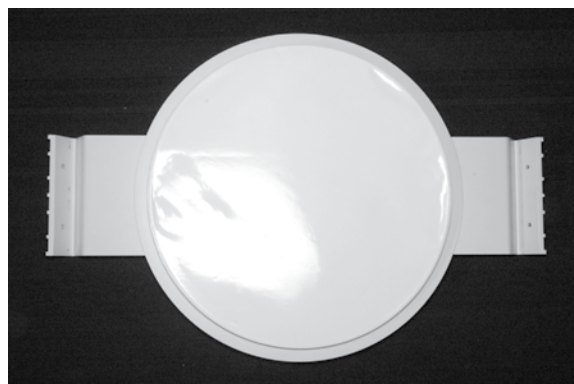
Four (4) Speaker Mounting Screws



Grille Removal Tool

NOTE: The MB-C10 and the C-10SW are ***sold separately*** so that they may be purchased and installed during different phases of construction.

MB-C10 Package Contents

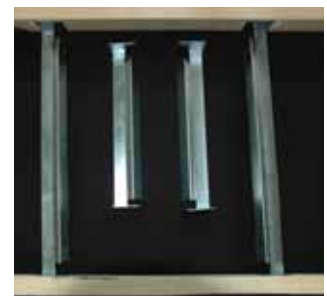


MB-C10 with white film cover



Figure 1

Eight (8) short screws (Item 1)
Eight (8) longer screws (Item 2)



Two (2) pairs of steel mounting rails