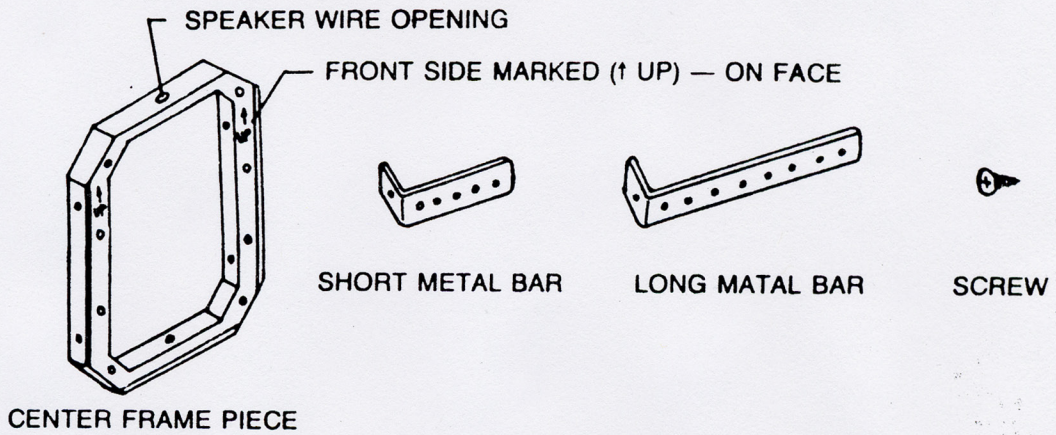


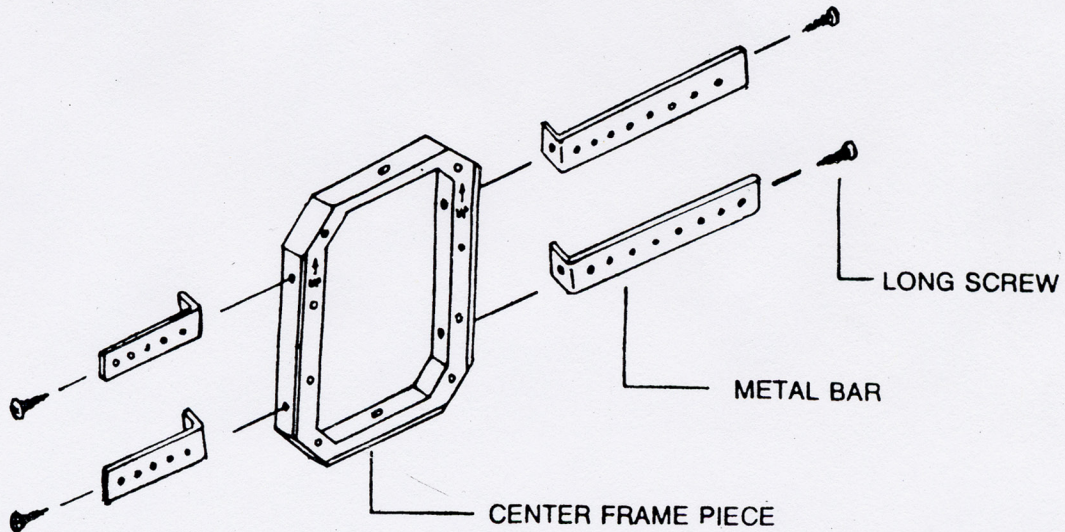
For Rough-In Kit Models: **RI-6914 & RI-7**

INSTRUCTION FOR INSTALLING ROUGH-IN-KIT

STEP 1. PLEASE CHECK THAT THERE ARE 2 PIECES OF PLASTIC FRAMES (CENTER PIECES), 4 PIECES OF SHORT METAL BARS, 4 PIECES OF LONG METAL BARS AND 16 PIECES OF SCREWS IN ONE COMPLETE SET OF ROUGH-IN-KIT.



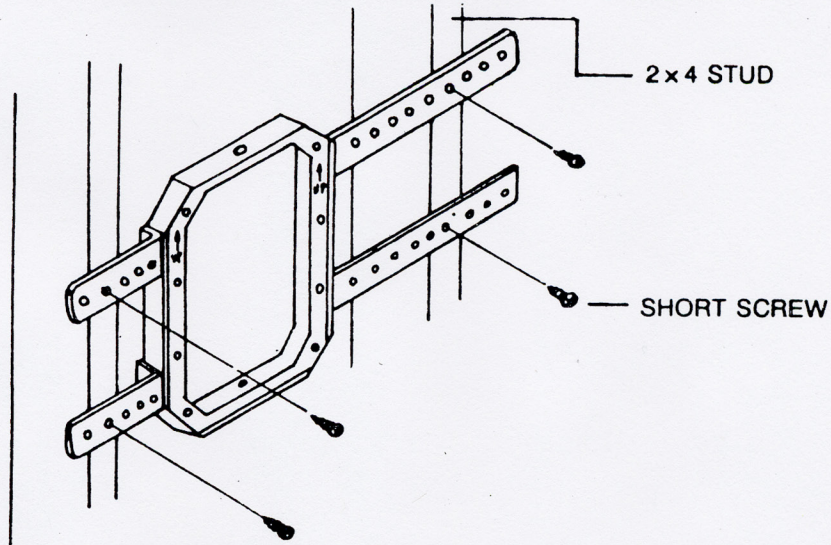
STEP 2. STABLE THE METAL BARS WITH THE CENTER FRAME PIECE USING THE LONG SCREWS.



(OVER)

For Rough-In Kit Models: **RI-6914 & RI-7**

STEP 3. ADJUST THE CENTER FRAME PIECE WITH METAL BARS BETWEEN 2x4 STUDS IN THE WALL AND SCREW THE METAL BARS TO THE STUDS.



STEP 4. INSTALL THE WALL SPEAKER.

