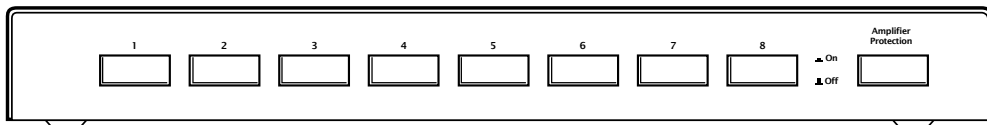


SW-8SPKR Speaker Selector with Amplifier Protection

The **SW-8SPKR** is designed as a distribution and switching center to allow up to 8 pairs of 8 ohm speakers to be connected to a stereo Amplifier or Receiver while providing amplifier protection*.



Buttons 1 through 8 are used to individually turn the eight pairs of speakers ON & OFF. To maintain individual volume control over each pair of speakers, impedance matching volume controls should be used (1 for each pair of speakers). These volume controls are to be located in-line between the SW-8SPKR and each speaker pair.

Note: When using this speaker selector with 8-pairs of speakers, the impedance multiplier on the volume controls is typically set at 4X.

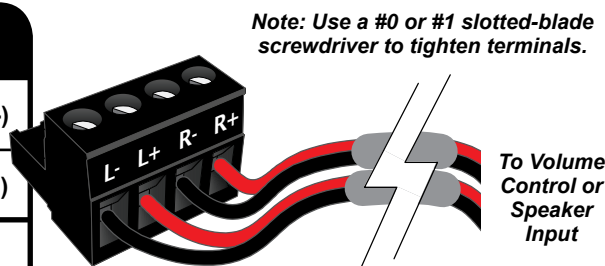
Speaker wiring should be a minimum of 18-gauge. CL2 or CL3 rated wire should be used for all speaker connections. For best system performance, 14-gauge wire is recommended for runs over 100 feet.

If you are uncertain as to the proper set-up and installation of this device, refer to a qualified technician. Improper installation of this device can damage it and the equipment connected to it!

Connect each set of speakers to one of the removable terminals as indicated below & illustration to the Right.

L-	Left channel negative (-)	R-	Right channel negative (-)
L+	Left channel positive (+)	R+	Right channel positive (+)

Be sure to maintain "Polarity" meaning:
Always connect Positive (+) to (+) Positive and Negative (-) to (-) Negative.



Specifications

Power Handling** – 100WRMS per channel
Dimensions: 17" W x 2" H x 5-1/4" deep
Net Weight: 5 lbs.

** If impedance matching volume controls are not installed or properly configured then the maximum output must be de-rated to 55WRMS.

Using Volume Controls

If you wish to have the capability to individually control the volume level of each pair of speakers you will need one (1) impedance matching volume control for each pair of speakers. With the addition of volume controls, each speaker pair can be adjusted or turned off using the volume control. Note: If the speaker's volume control is turned off, it can't be turned back on from the speaker selector (they are independent of each other). If you don't wish to use volume controls or you choose to use controls that do not offer impedance matching capability then the power handling of this speaker selector must be de-rated as shown in the specifications.

For more information regarding volume controls visit our website.

When distributing audio from a single Amplifier/Receiver, the maximum speaker level is set at the amplifier. To do this, set the speaker's individual control to its maximum position and adjust the amplifier to a level that would be considered the highest normal listening level. Then, turn down the volume at the speaker's individual volume control. If a volume control vibrates, or sound can be heard coming from the control when it is turned down, then the amplifier level is too high and must be reduced to prevent possible damage to the volume control, speaker selector, and/or amplifier.

*** Note:** The Amplifier Protection switch should be engaged when two or more pairs of speakers are selected. The amplifier is protected by buffering the amplifier output through high power resistors. Should you notice an unusual drop in volume from one or more speakers or excessive heat from the speaker selector, the system should be checked for possible problems, such as a shorted-circuit.

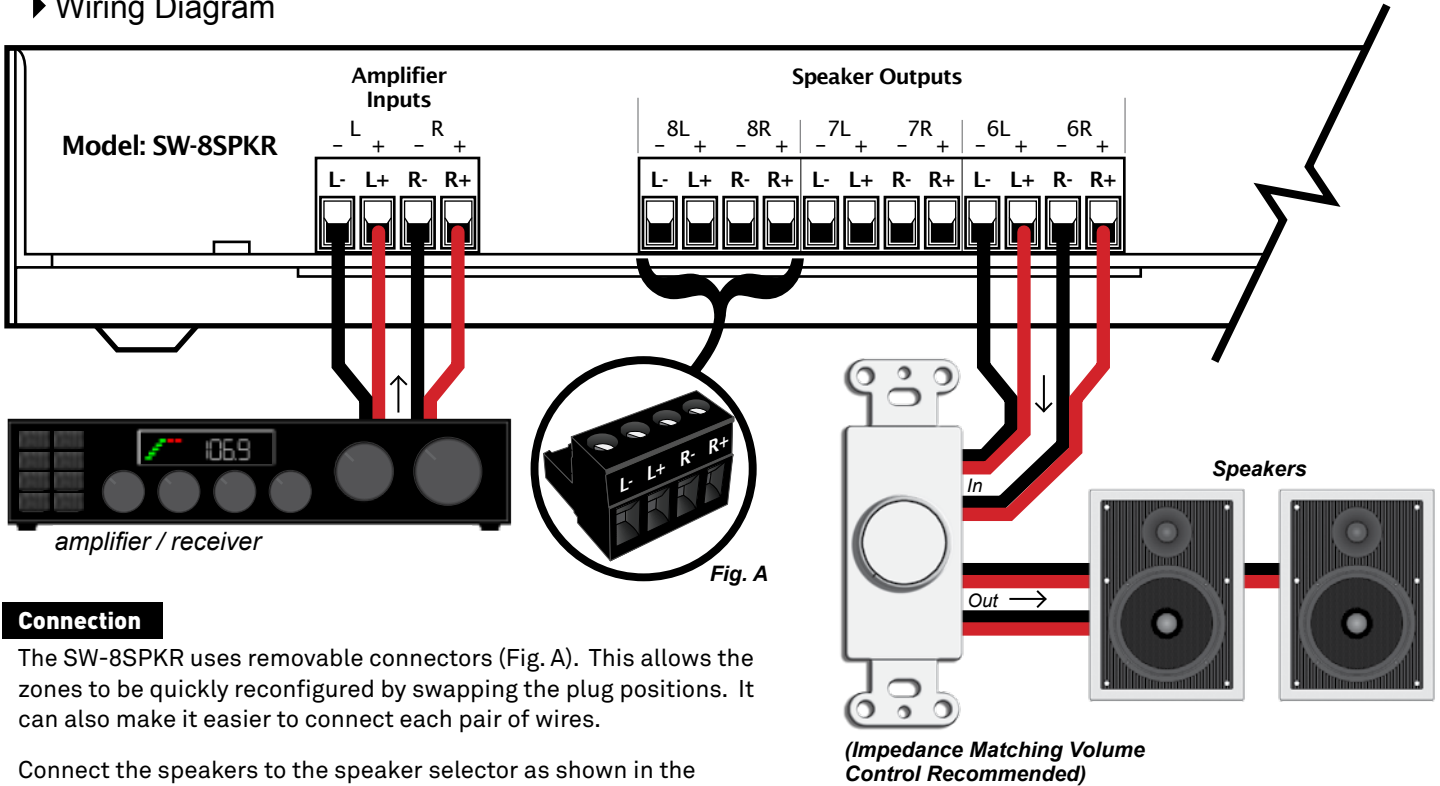
OEM SYSTEMS COMPANY

(775) 355-0405 • (800) 291-0561 FAX

www.oemsystems.com • info@oemsystems.com

SW-8SPKR Speaker Selector with Amplifier Protection

► Wiring Diagram



Connection

The SW-8SPKR uses removable connectors (Fig. A). This allows the zones to be quickly reconfigured by swapping the plug positions. It can also make it easier to connect each pair of wires.

Connect the speakers to the speaker selector as shown in the diagrams. Then connect the amplifier output to the input of the speaker selector. Use care to maintain proper polarity on all connections. A loss of fidelity may occur if speakers are wired out of phase.

Strip approximately ¼" (6mm) of insulation from each conductor and insert it into the hole in the back of the connector. Tighten the screw to clamp the wire. (Wiggle the wire and retighten the screw to ensure a strong long-lasting connection.)

► Typical 8 Room Block Diagram

